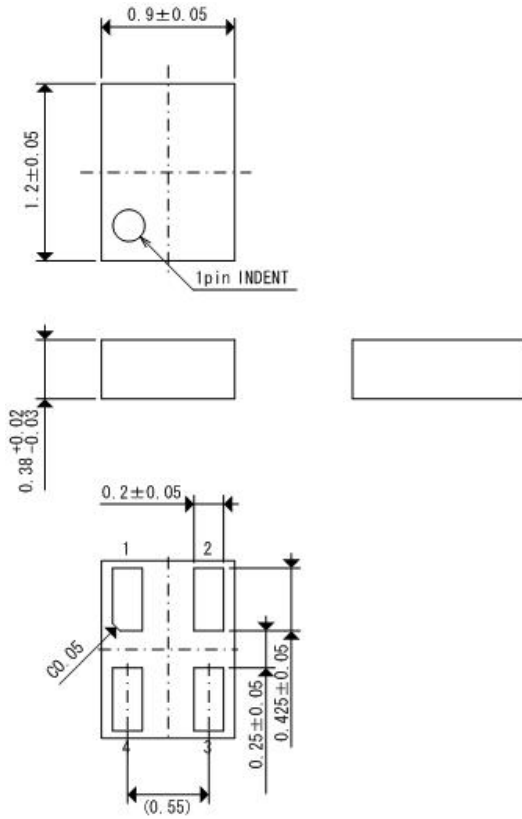


Packaging Information / Reference Pattern Layout Dimensions

●USPN-4

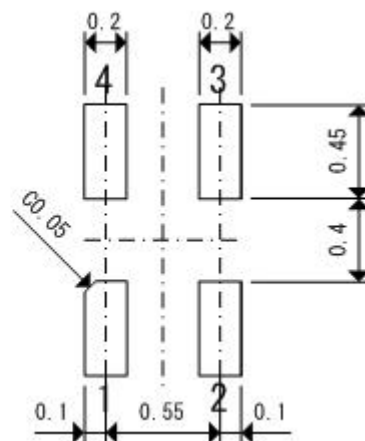
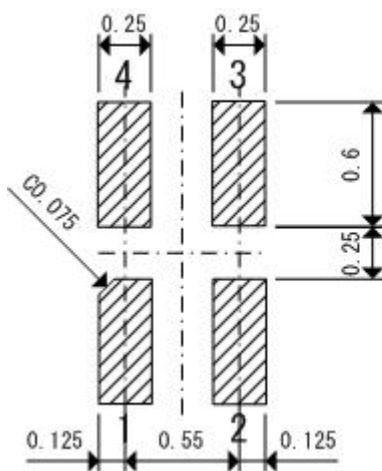
Unit: mm

■Packaging Information



■Reference Pattern Layout Dimension

Note : reference metal mask design



• Solder thickness: $120\mu\text{m}$ (Ref.)