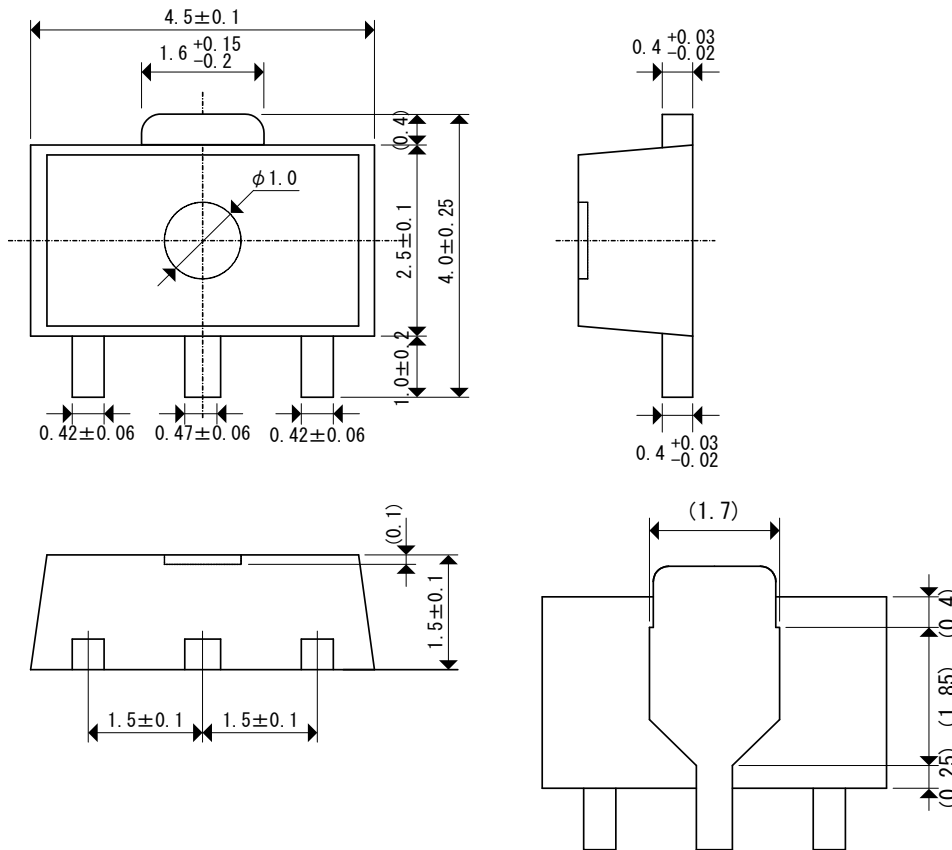


Packaging Information / Reference Pattern Layout Dimensions

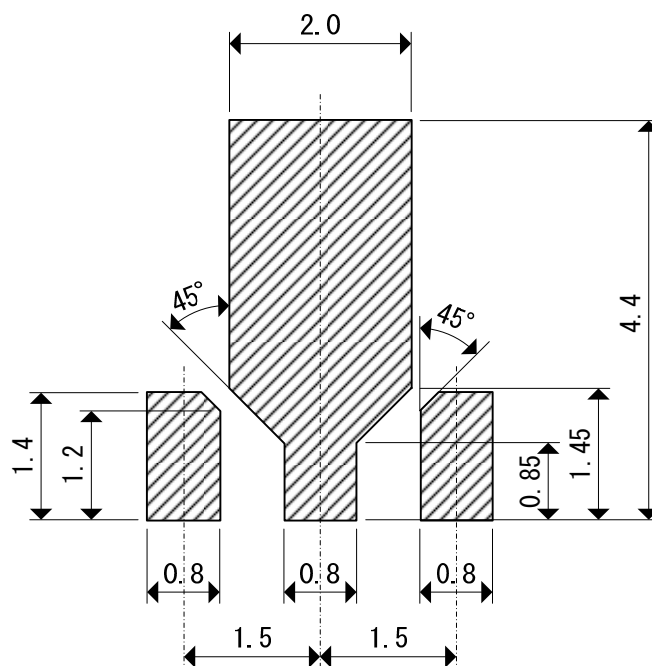
● SOT-89

Unit: mm

■ Packaging Information



■ Reference Pattern Layout Dimension



• Solder thickness: 150 μ m (Ref.)