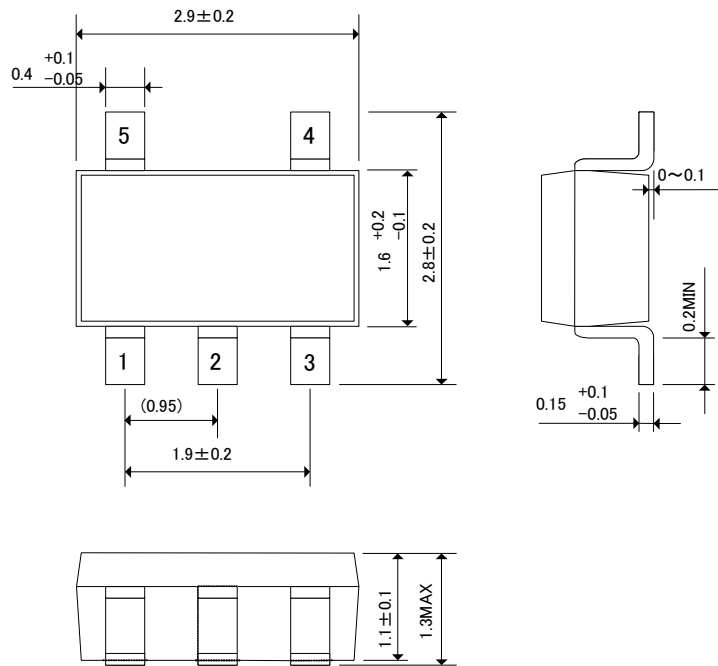


Packaging Information / Reference Pattern Layout Dimensions

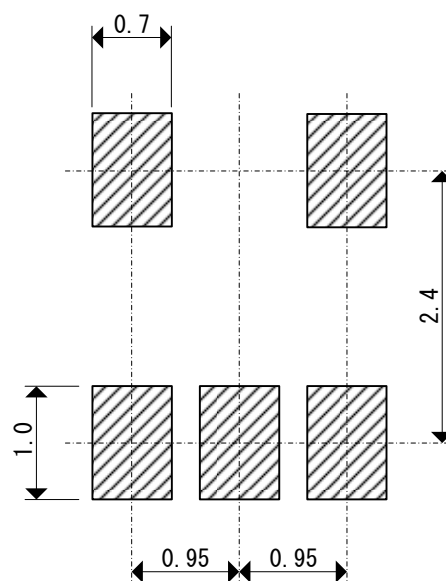
● SOT-25

Unit: mm

■ Packaging Information



■ Reference Pattern Layout Dimension



• Solder thickness: $150 \mu\text{m}$ (Ref.)