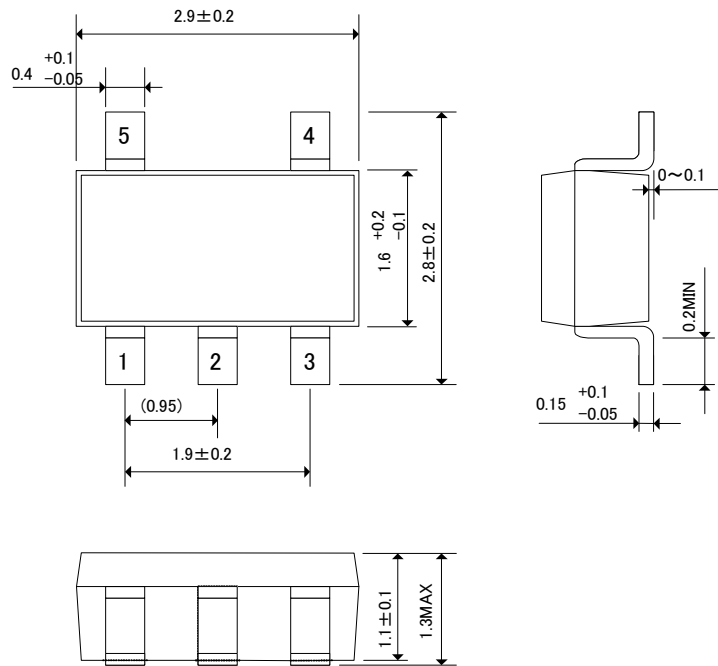


Packaging Information / Reference Pattern Layout Dimensions

● SOT-25

Unit: mm

■ Packaging Information



■ Reference Pattern Layout Dimension

